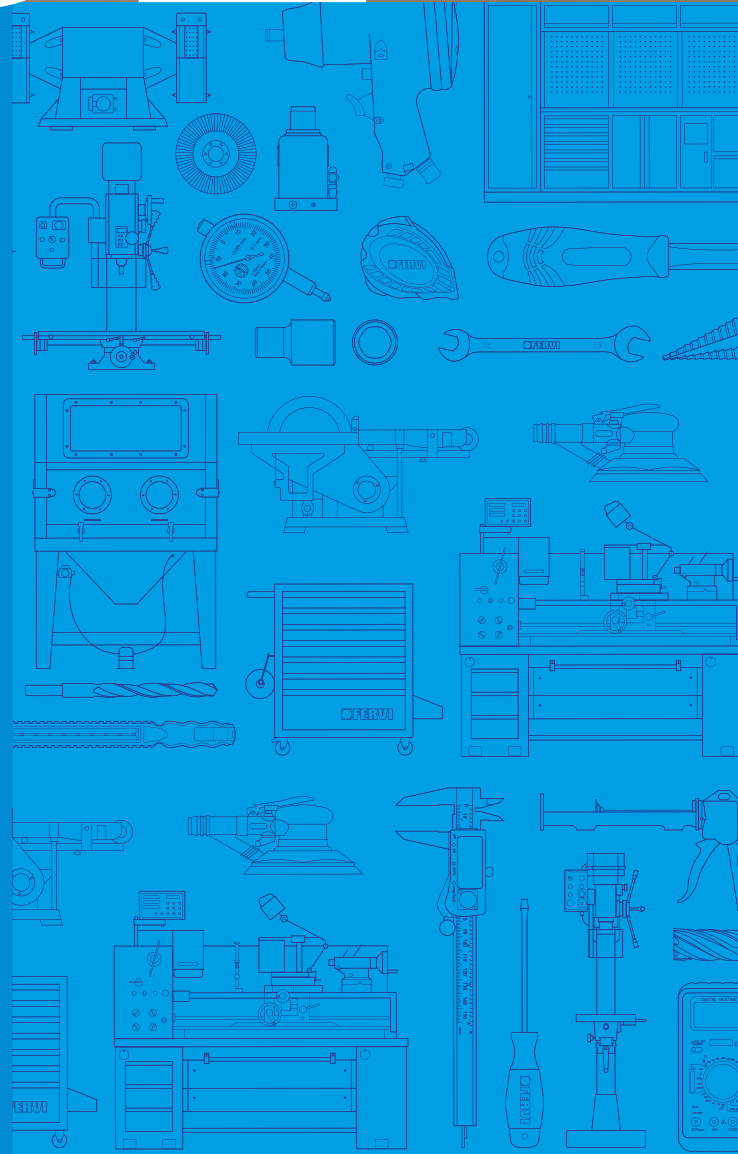


FERVI

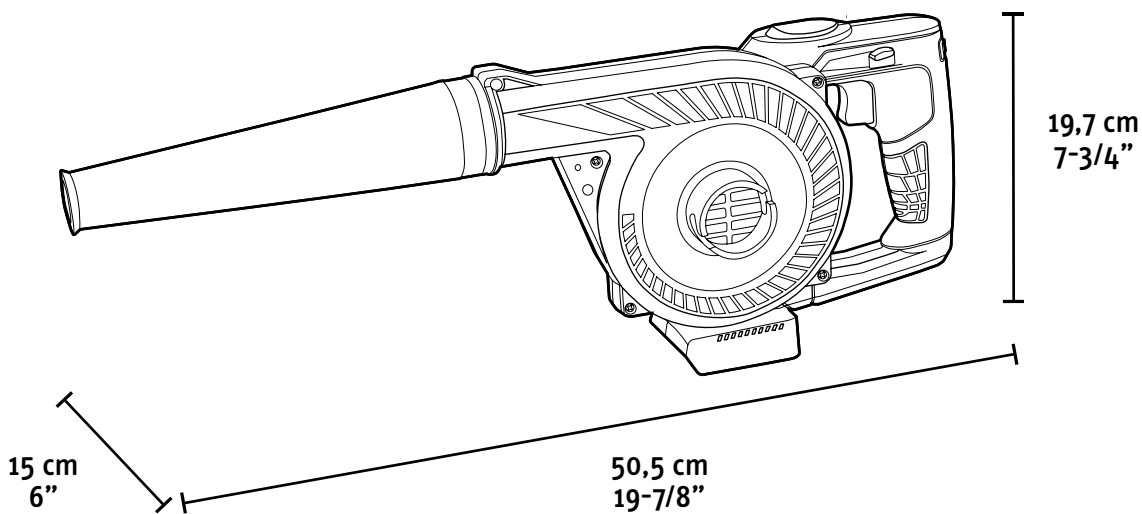


NEW 2026
POWER TOOLS
& ACCESSORIES



FB20AM3AB-K

AIR MOVER 20V



+ PRODUCT PLUS

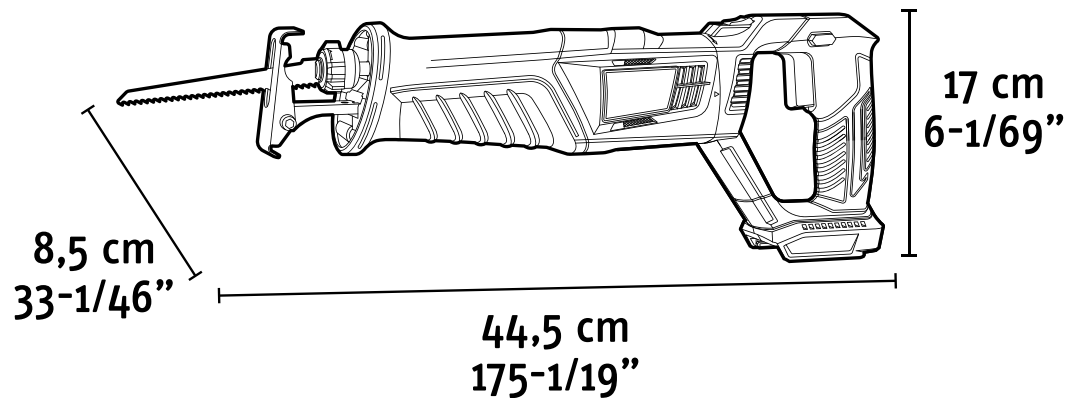
- 2 FUNCTIONS (SUCTION-BLOWING)
- VARIABLE SPEED
- LOCK-ON

- SOFT RUBBER GRIP
- DUST BAG INCLUDED
- BRUSHLESS MOTOR

No-load speed	0-18000 min-1
Air flow	2,56 m ³ /min
Air velocity	63,5 m/s
Weight	1,2 kg

FB20GS3AB-K

RECIPROCATING SAW 20V



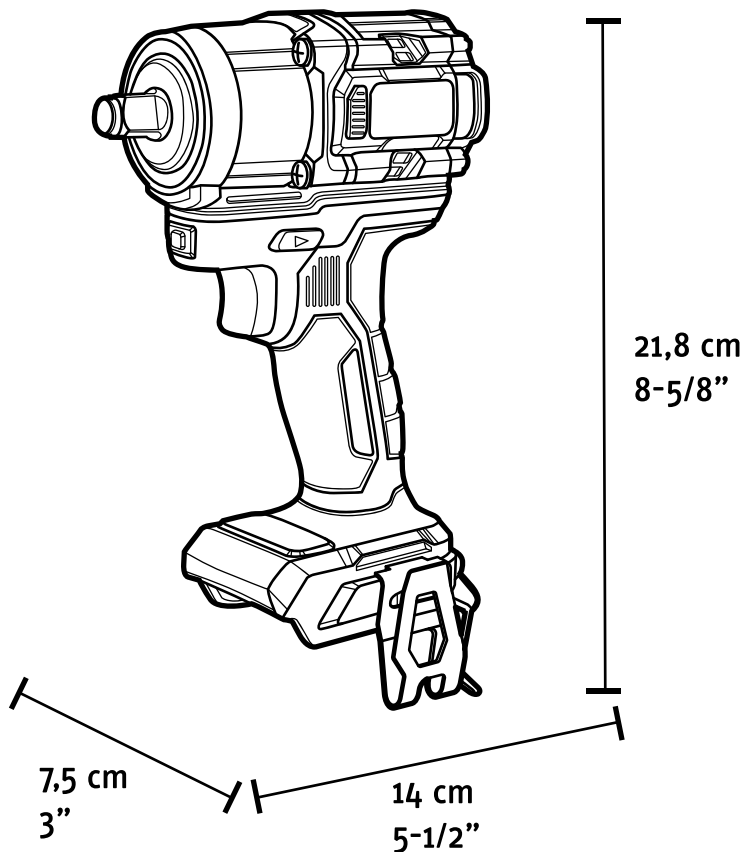
+ PRODUCT PLUS

- ELECTRONIC SPEED
- ADJUSTABLE STOP
- SOFT D-GRIP
- BRUSHLESS MOTOR
- ROTATING HANDLE
- 1 BLADE INCLUDED
- QUICK BLADE RELEASE

No-load speed	0-2800 min-1
Blade stroke length	26 mm
Cutting depth in wood	115mm
Cutting depth in steel (profile)	5 mm
Cutting depth in steel (tube)	60 mm
Weight	1,7 kg

FB20IW6AB-K

PULSE WRENCH 20V



+ PRODUCT PLUS

- BRUSHLESS MOTOR
- 1/2" SQUARE DRIVE
- ELECTRONIC SPEED CONTROL
- SPEED SELECTOR
- RING LED POINTER
- REVERSIBLE ROTATION
- BELT CLIP
- MAGNESIUM HEAD FOR IMPROVED HEAT DISSIPATION
- VENTILATION SYSTEM FOR MOTOR COOLING

No-load speed	0-2700 min-1
Blows per minute	0-3500 min-1
Max torque	300-400-500-550 Nm
Connection	1/2" quadro
Min-max nut/screw diameter	M14-M28
Weight	1,00 kg